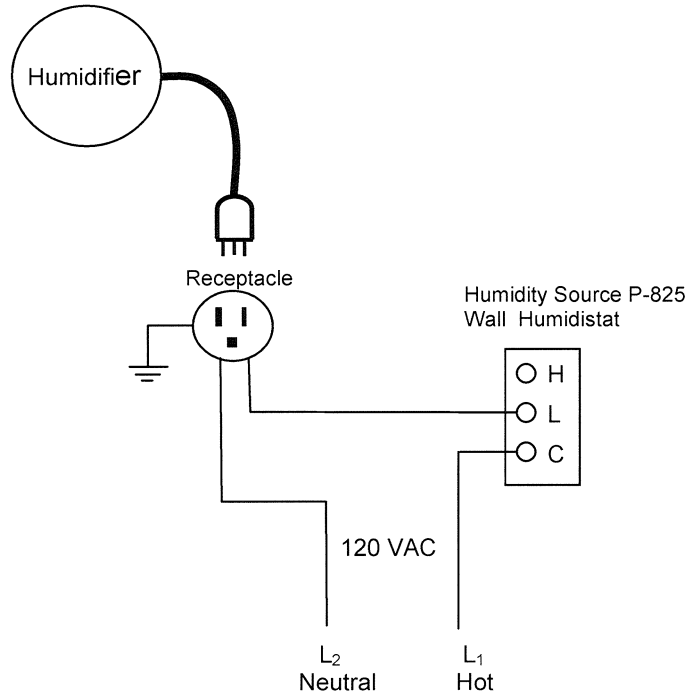


Wiring Diagram If Using P-825 Humidistat Installation



W351A Wiring Diagram If Using W351 On/Off Controller

