

W351A Wiring Diagram – On/Off Control

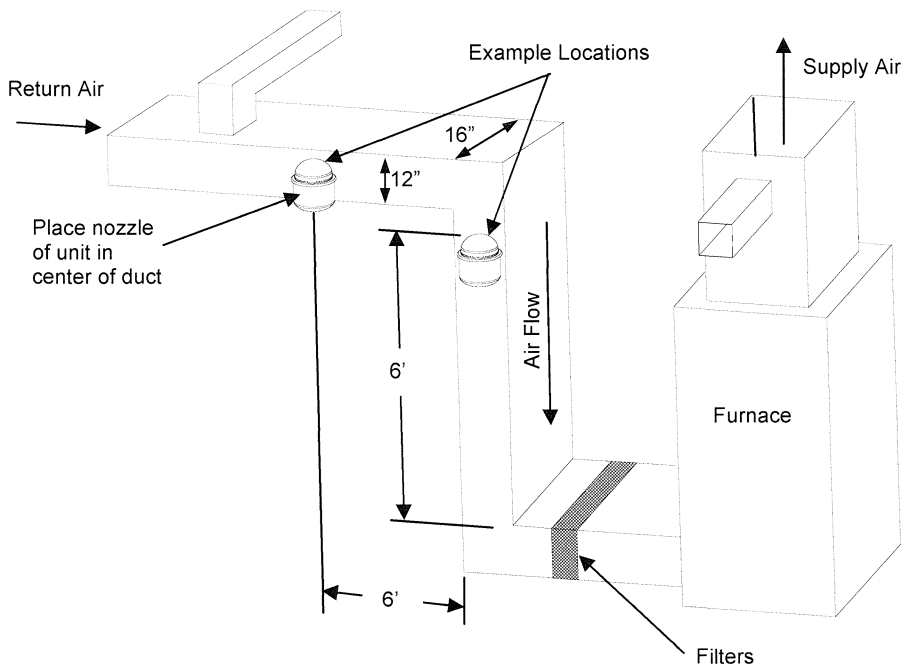
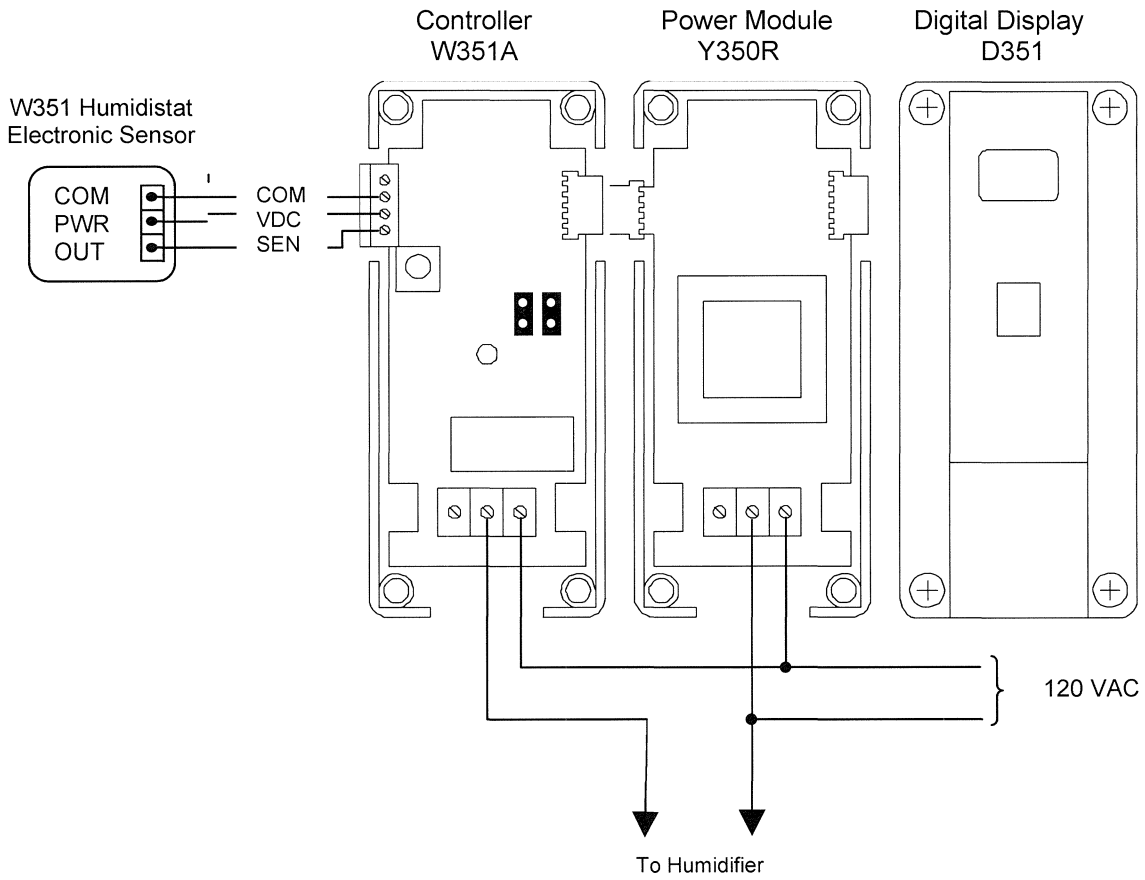


Figure C