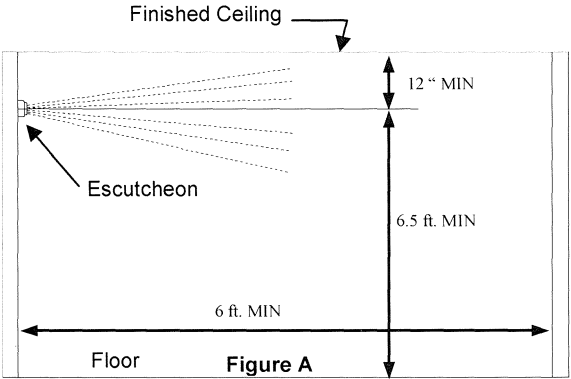


## MODEL WF-HH-229

### PRELIMINARY CONSIDERATIONS

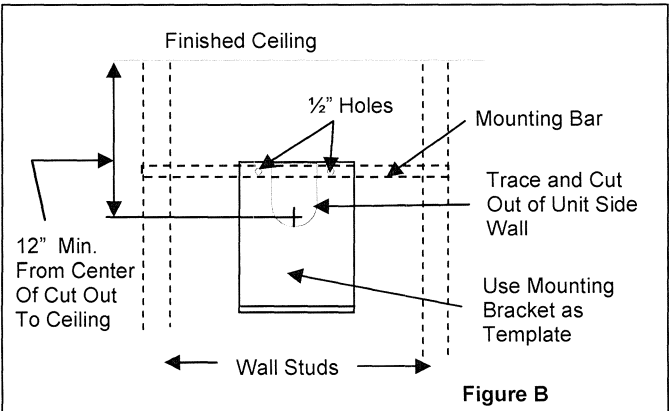
Before proceeding with the installation, the location of Model WF-HH-229 Humidifier must be selected. There are several through-the-wall considerations that can be chosen, utility or equipment rooms, a dead space area, closet space, etc.

**Step 1.** Select a location for your humidifier so that there will be 6 feet minimum space between the Escutcheon side if the wall and the nearest wall or obstruction. There should also be 6 ½ feet minimum distance to the floor and at least 12 inches from the ceiling (see Figure A). Failure to follow the minimum distance guidelines may result in moisture on the walls or ceiling.

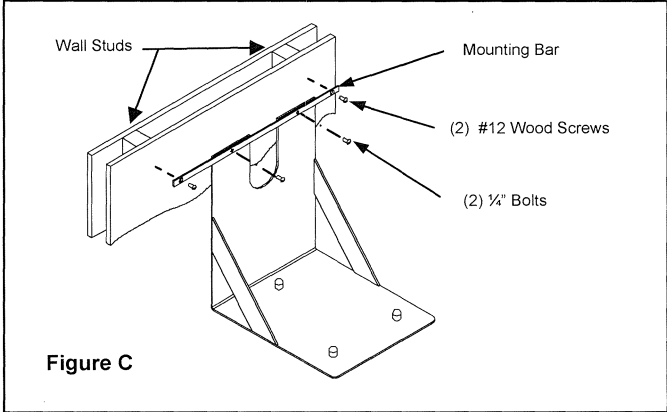


**Step 2.** Use the Mounting Bracket as a template and mark the location for (2) ½” diameter holes and slot for humidifier discharge tube (Figure B). Drill the ½” holes and cut the slot in the wall board on the unit side only. Cut a 3 ½” hole in the Escutcheon or unit discharge side of the wall to allow the extension tube to protrude through the wall. Establish a 2” per foot pitch toward the humidifier when cutting the 3 ½” hole.

**Step 3.** Fasten the Mounting Bar to the top of the Mounting Bracket with (2) ¼” bolts as shown in Figure C. Mount the entire assembly to the wall with (2) #12 wood screws through the Mounting Bracket. The Mounting Bar is sized to match normal wall stud spacing (16” centers). Insert (3) rubber feet in the bottom of the mounting plate, with rubber bumper up

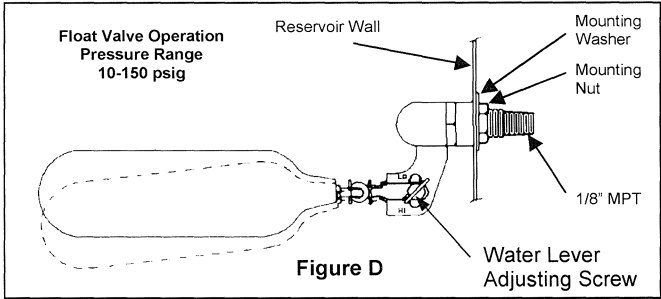


and attach nuts to the feet. Tighten the front nut and leave the (2) rear nuts loose.



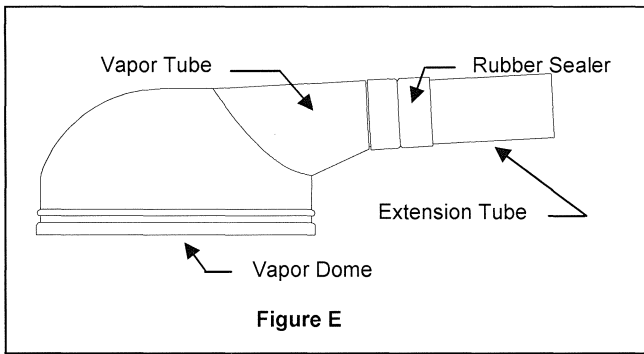
**Step 4.** Place the Reservoir assembly on the Mounting Bracket. Run a ¼” copper or PVC tubing line from an appropriate water supply to the Reservoir float valve fitting. It is recommended that a shut off valve be located at the water supply connection in case of water leaks and for easy removal of humidifier for maintenance. Turn on the water and adjust the Reservoir water level to 1” below the over flow port using the float valve adjusting thumb screw (Figure D).

### Float Assembly Details

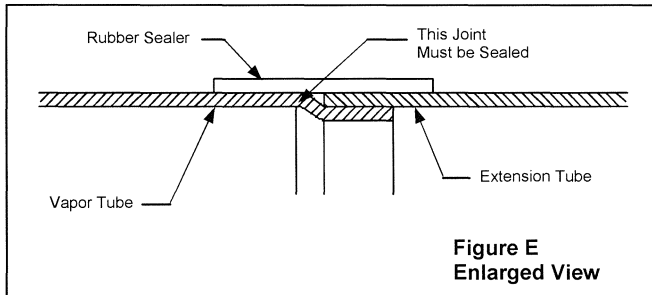


**Step 5.** Cut the Extension Tube to the correct length depending on your wall thickness. Allow sufficient Extension Tube length (¾”) protruding through the wall to mount the Escutcheon. Do not cut the Extension Tube at the rubber seal end and smooth all rough edges after cutting.

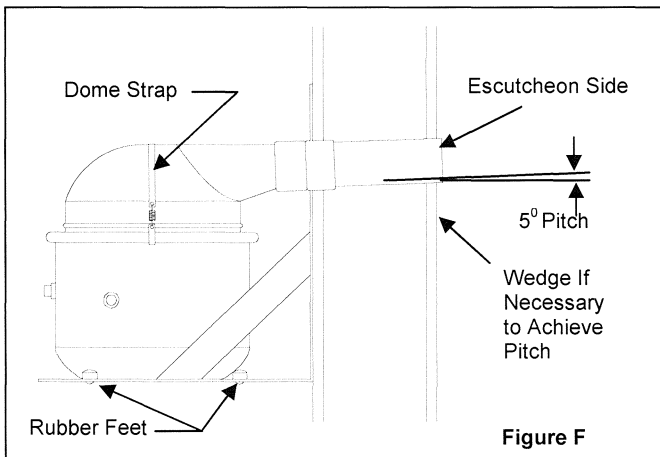
**Step 6.** Slip Rubber Sealer end of the extension tube all the way over the Vapor Tube. Roll the top layer of the Rubber Sealer off the extension tube and on to the Vapor Tube (Figure E).



Slip rubber sealer end of extension tube all the way over vapor tube of dome. Peel top layer of rubber sealer off the extension tube and on to the vapor tube.



Be sure that the rubber seal over laps the extension tube and the extension tube overlaps the vapor tube as shown in the illustration above.

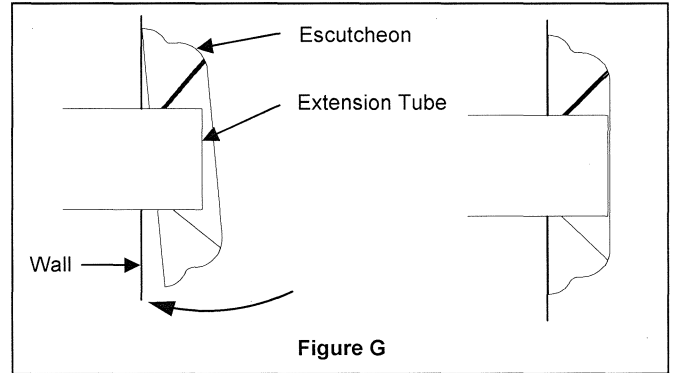


**Step 7.** Insert the Vapor Dome with Extension Tube through the wall from the humidifier side as shown in Figure F. The Extension Tube should have a downward pitch toward the humidifier of approximately 1" per foot. Place Vapor Dome on top of Reservoir and connect Dome Strap. Water placed in the Extension Tube should run back into the humidifier, if not wedge a piece of spacing material (like a piece of wood) under the Extension Tube to raise it.

**Step 8.** Adjust the two rear rubber feet on the Mounting Bracket to snug the Reservoir up against the front rubber foot to keep the reservoir firmly in place.

**Step 9.** Assemble the Escutcheon to the protruding Extension Tube as shown in the two steps shown in Figure G.

**Step 10.** Make electrical connections as shown in Figure H. The Humidity Source Humidifier is now ready for many years of service.



#### Wiring Diagram For P-825 Humidistat

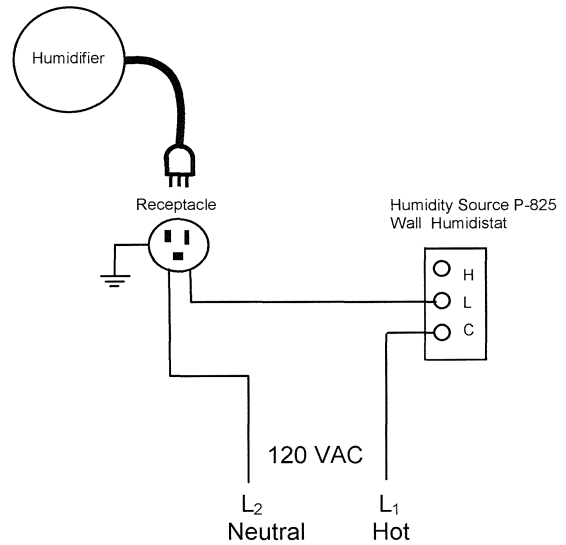
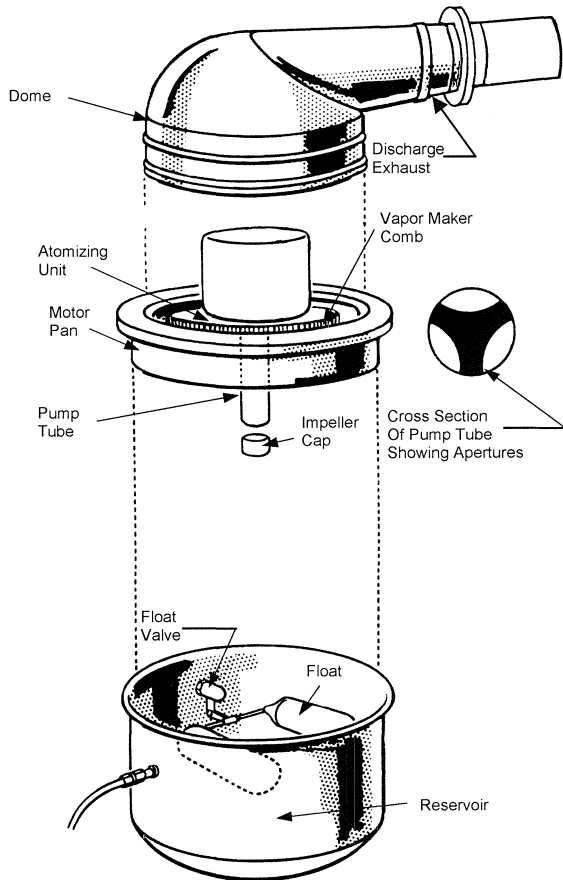


Figure H

Your Humidity Source humidifier is a precision-built instrument that, given proper care, will provide years of dependable service. All that is required is periodic cleaning during the humidifying season when your humidifier is most used. Depending on local water conditions, mineral solids and other matter may accumulate in various parts of the unit. These accumulations must be removed so that water flows freely for efficient operation of the humidifier. A reverse osmosis water treatment system will remove minerals and greatly reduce the need to clean the humidifier. See R.O. systems under "accessories".



**CLEAN YOUR HUMIDIFIER AT END OF THE HEATING SEASON. LEAVE THE UNIT EMPTY AND DRY DURING THE SUMMER MONTHS. REFILL AGAIN IN THE FALL. INSPECT AND CLEAN (IF NEEDED) ONCE OR TWICE DURING THE HEATING SEASON. IF USED ALL YEAR, INSPECT AND CLEAN AS NECESSARY QUARTERLY**

**STEP 1.**  
DISCONNECT ELECTRICAL PLUG FROM HOUSE LINE. TURN OFF WATER SUPPLY.

**STEP 2.**  
REMOVE DOME FROM UNIT, AFTER FIRST REMOVING DOME STRAP. The dome rests on the copper motor pan; it lifts up and away from the unit. The vapor tube and extension tube are connected by the rubber tube seal and will come out together.

**STEP 3.**  
LIFT OUT THE ATOMIZING UNIT. This rests freely in the reservoir pan and lifts out easily.

**STEP 4.**  
CLEAN THE ATOMIZING UNIT. *Do not submerge unit in water or the atomizer motor will be damaged.* First, remove the cylindrical screen. Twist slightly out of lock position and remove. Next, remove the impeller cap from the pump tube by tapping lightly on edge of cap with a flat object (such as a file or flat screwdriver). *Do not tap on face of cap, this can damage its ability to pump water.* Insert a pointed scraper or pipe cleaner through the open end of the pump tube into the three apertures located inside the pump tube (you may not actually see the apertures but you can "feel" them). Gently poke and free the three apertures of any solids that may have accumulated. Scrape out waste materials along the inner walls of the pump tube. Flush out pump tube with low pressure water being very careful not to force water into the atomizer motor. Replace impeller cap on pump tube by tapping into place around edge of cap, *again, do not tap face of cap.* Spin the pump tube by hand to insure it rotates freely. Replace screen by twisting into lock position. Brush-clean the vapor maker comb with a small wire brush or old tooth brush. Rinse out motor pan being careful not to get water into the motor.

**STEP 5.**  
EMPTY AND CLEAN RESERVOIR of all liquids and waste materials. Use white vinegar to dissolve minerals. Care should be taken so as not to disturb floats or float valve.

**STEP 6.**  
REASSEMBLE THE UNIT. Replace the atomizing unit in the reservoir. Place the dome on the motor pan with the discharge exhaust and extension tube positioned in line with the air intake tube on the reservoir. Set entire unit back on mounting plate positioning discharge tube and air intake tube through the wall.

TURN ON YOUR WATER SUPPLY, PLUG IN YOUR ELECTRIC CORD AND YOUR HUMIDIFIER IS AGAIN READY FOR THE NEXT HUMIDIFYING SEASON.